

Flow dividers type TQ and TV

The flow dividers type TQ divide (collect) total flow entering (exiting) at port C. The distribution is independent of working pressure at ports A and B, and may be divided equally or unequally in predetermined portions.

Type TV flow dividers feature privilege division. A variable flow entering at port C is divided into a partial flow Q_A , which is kept constant, and a residual flow Q_B . As soon as one consumer's movement is stopped, the flow to the other is either reduced to a minimal flow (type TQ) or completely reduced to leakage flow (type TV). It is possible to overcome this design feature by simulating flow via a pressure-limiting valve. These valves are used for applications where one pump is required to supply two unevenly loaded hydraulic consumers, which must be driven simultaneously and independently (type TQ) or if one consumer simply requires a constant flow (type TV).

Features and benefits:

- Accurate flow division

Intended applications:

- Steering systems
- Synchronized cylinder movement



Nomenclature:	Flow dividers with or without priority division
Design:	Individual valve for pipe mounting Manifold mounting
Adjustment:	Non-adjustable
p_{max}:	300 ... 350 bar
Q_{max}:	7,5 ... 200 lpm (nom. total flow)

Design and order coding example

TV3P	- A	- 2,0
TQ 32	- A	- 3

Coding Flow indicator

Design (A – equal division ratio)

- Basic type, size**
- Pipe connection (no coding)
 - Manifold mounting (P)

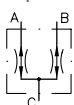
Type TQ, size 2 to 5

Type TV, flow divider with privilege division, size 3

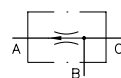
Function

TQ

Pipe connection



TV

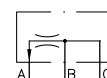


TQ.P

Manifold mounting valve



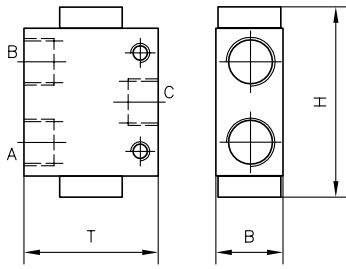
TV.P



General parameters and dimensions

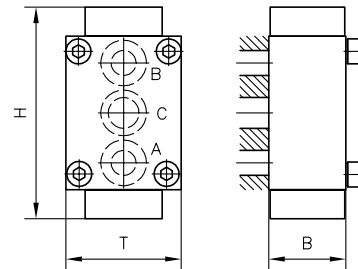
TQ...

Pipe mounting



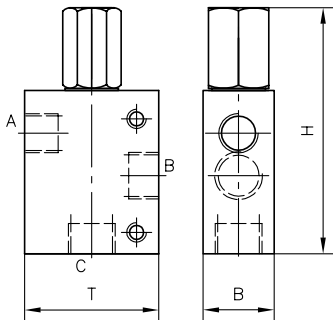
TQ .P

Manifold mounting



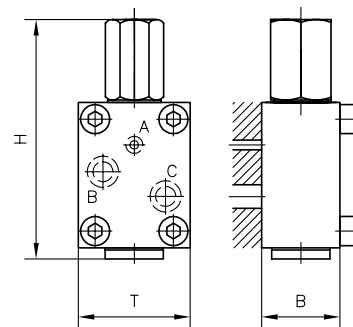
TV 3..

Pipe mounting



TV 3P

Manifold mounting



	Q _{max} [lpm]	p _{max} [bar]	Ports (BSPP) ¹⁾			Dimensions [mm]			m [kg]
			A	B	C	H	B	T	
TQ 2..	7.5 ... 70	350	G 1/4, G 3/8	G 1/4, G 3/8	G 3/8	79	30	50	0.6
TQ 3..	7.5 ... 70	350	G 3/8, G 1/2	G 3/8, G 1/2	G 1/2	85	30	60	0.6 ... 0.7
TQ 3P	7.5 ... 70	350	-	-	-	79	30	50	0.7
TQ 4	80 ... 120	350	G 1/2	G 1/2	G 3/4	110	40	60	1.5
TQ 4P	80 ... 120	350	-	-	-	110	40	60	1.6
TQ 5	140 ... 200	350	G 3/4	G 3/4	G 1	134	50	80	3.0
TQ 5P	140 ... 200	350	-	-	-	134	50	80	3.1
TV 3..	60	300	G 3/8	G 1/2	G 1/2	109	30	60	1.0
TV 3P	60	300	-	-	-	106	35	50	1.0

1) For pipe mounting versions only

Associated technical data sheets:

- Flow dividers type TQ: [D 7381](#)
- Flow dividers type TV: [D 7394](#)