

Pressure switches hex 24

Normally open or normally closed, maximum voltage 42 V



- **Low-cost solution for mechanical pressure monitoring.**
- **Stable switching point even after long use and high load.**
- **Switching point easily adjustable¹ – also during operation.**
- **High pressure resistance, compact, small switch available as normally closed (nc) or normally open (no).**
- **Ready-wired versions with the connector that you require – see page 38-41.**

Technical data

Voltage	max. 42 V
Current rating (resistive):	max. 4 Ampere
Contact rating:	100 VA
Temperature stability for diaphragm / seal materials:	NBR (BunaN) -40 °F to +212 °F (-40 °C to +100 °C) EPDM -22 °F to +248 °F (-30 °C to +120 °C) FKM (Viton ®) +23 °F to +248 °F (-5 °C to +120 °C) Silicone -40 °F to +248 °F (-40 °C to +120 °C) HNBR -22 °F to +248 °F (-30 °C to +120 °C)
Switching frequency:	200 / min.
Mechanical life expectancy:	10 ⁶ cycles (life expectancy of diaphragm pressure switches only for pressures up to max. 725psi (50 bar))
Pressure rise rate:	≤ 14.5psi / ms (≤ 1 bar / ms)
Hysteresis:	average value 5 – 30 % depending on type, not adjustable
Vibration resistance:	10 g / 5 – 200 Hz sine-wave
Shock resistance:	294 m/s ² ; 14 ms half-sine-wave
Degree of protection:	IP65 Terminals IP00
Weight in grams:	approx. 3.17 oz (90 g)

¹⁾ The pressure switches can also be factory preset. Our preset switches are sealed with lacquer paint and have the set pressure embossed on their body.

Pressure switches hex 24

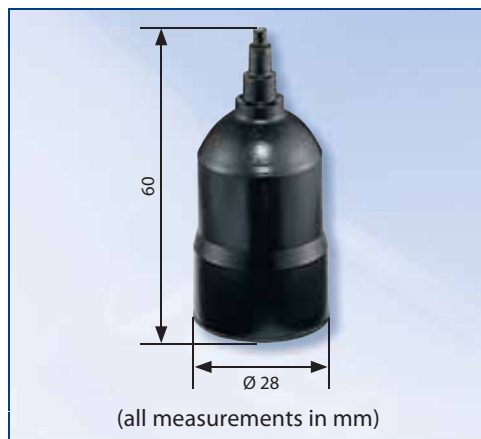
With fitted rubber cap: Degree of protection IP54

Technical data

Type:		0163	0164	0166	0167	0168	0169
Material:	Zinc-plated steel (Cr VI-free)	■		■		■	■
	Stainless steel		■				
	Brass				■		
Overpressure safe up to:	500psi (35 bar)				■		
	4,350psi (300 bar)			■		■	
	8,700psi (600 bar)	■	■				■



Accessories for 0163, 0164, 0166, 0167, 0168, 0169



Rubber protective cap

with central cable outlet
for 1.5 - 5 mm diameter cable

With fitted cap IP54

Suitable for voltages
up to 42 V

Order number:

1-1-66-621-010



Rubber protective cap

with two-cable outlet
for 1.7 - 2.2 mm diameter cable

With fitted cap IP54

Suitable for voltages
up to 42 V

Order number:

1-1-66-621-003

Degree of protection IPXX

The type approval does not apply without restriction to all environmental conditions. It is the responsibility of the user to check whether the electrical connection complies with regulations other than those stated and whether it can be used for special applications which could not be foreseen by us.

Oxygen warning!

When using oxygen, the relevant safety regulations must be observed. In addition, we recommend that a maximum operating pressure of 145psi (10 bar) (725psi (50 bar) series 0164) must not be exceeded.