

Product Information

Sensors and Instrumentation

Flow Indicator BL



- High temperature resistance

Characteristics

Mechanical flow indicator for fluid, gaseous, or aggressive media. The medium enters the valve housing and raises the Teflon ball which is resting in the valve seat. Robust construction in stainless steel.

Technical data

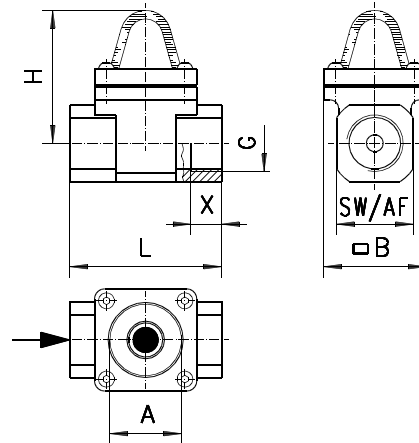
Nominal width	DN 8..40	
Process connection	female thread G 1/4..G 1 1/2	
Display range	0.3..23 l/min	for details see table "Ranges"
Q _{max.}	to 60 l/min	
Pressure	PN 16	
Media temperature	-20..+200 °C	
Ambient temperature	-20..+200 °C	
Materials medium-contact	1.4436, 1.4410, PTFE, borosilicate glass, Klingersil C4400	
Materials, non-medium-contact	1.4436, borosilicate glass	
Medium	water (oils, gases and aggressive media available on request)	
Weight	see table "Dimensions and weights"	
Installation location	horizontal inwards flow; glass dome on top	

Ranges

G	Ball l/min H ₂ O		Q _{max.} recommended	Types
	initial movement	fully visible		
G 1/4	0.3	1.5	4	BL-008GK
G 3/8			8	BL-010GK
G 1/2			12	BL-015GK
G 3/4	2.5	5.0	25	BL-020GK
G 1	4.0	8.0	40	BL-025GK
G 1 1/2	11.0	23.0	60	BL-040GK

Dimensions and weights

G	Types	L	H	A	B	SW	X	Weight kg
G 1/4	BL-008GK	76	67	42	60	28	12	0.8
G 3/8	BL-010GK	89	78			45	16	0.7
G 1/2	BL-015GK						14	
G 3/4	BL-020GK						18	
G 1	BL-025GK	118	95	50	77	62	30	1.4
G 1 1/2	BL-040GK						30	2.5



Ordering code

BL - 1. 2. 3.
 G **K**

1. Nominal width	
008	DN 8 - G 1/4
010	DN 10 - G 3/8
015	DN 15 - G 1/2
020	DN 20 - G 3/4
025	DN 25 - G 1
040	DN 40 - G 1 1/2
2. Process connection	
G	female thread
3. Connection material	
K	stainless steel