

**Product Information**

**Sensors and Instrumentation**

**Flow Switch FW3**



- Compact construction
- Insensitive to dirt

**Characteristics**

Mechanical flow switch, for fluid media, with spring-supported piston and magnetic triggering of a reed switch. Robust construction in brass.

**Technical data**

<b>Switch</b>	reed switch	
<b>Nominal width</b>	DN 8	
<b>Process connection</b>	female thread G 1/4 (further process connections available on request)	
<b>Adjustment range</b>	0.4..2.5 l/min	for details see table "Ranges"
<b>Pressure loss</b>	up to 1.9 bar at Q <sub>max.</sub>	
<b>Q<sub>max.</sub></b>	2.5..6 /min	
<b>Tolerance</b>	±10 % of the full scale value, minimum 0.3 l/min	
<b>Pressure resistance</b>	PN 100 bar	
<b>Media temperature</b>	-20..+90 °C	
<b>Ambient temperature</b>	-20..+70 °C	
<b>Media</b>	water (oils available on request)	
<b>Wiring</b>	normally open ( n.o.) No. 0.378	
<b>Switching voltage</b>	max. 230 V AC	
<b>Switching current</b>	max. 0.5 A	
<b>Switching capacity</b>	max. 50 VA	
<b>Protection class</b>	2 - safety insulation	
<b>Ingress protection</b>	IP 67	
<b>Electrical connection</b>	for round plug connector M12x1, 4-pole	
<b>Materials medium-contact</b>	<i>Brass construction:</i> CW614N nickelled, POM, 1.4310, hard ferrite	<i>Stainless steel construction: 1.4305, POM, 1.4310, hard ferrite</i>
<b>Non-medium-contact materials</b>	PC, 1,4301, 1.4305	
<b>Weight</b>	0.25 kg	
<b>Installation location</b>	Standard: horizontal inwards flow; other installation positions are possible; the installation position affects the switching point.	

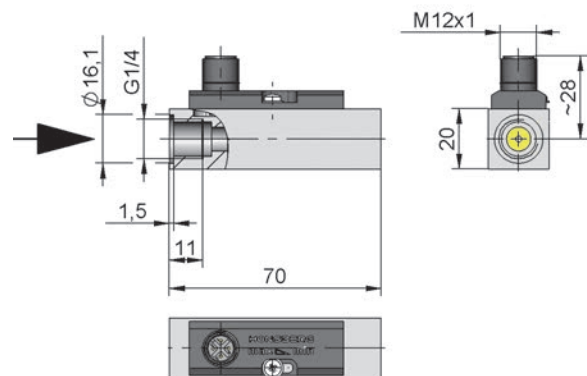
**Ranges**

Details in the table correspond to horizontal inwards flow with decreasing flow rate.

Switching value l/min H <sub>2</sub> O Choose between	Q <sub>max.</sub> recommended	Pressure loss bar at Q <sub>max.</sub> H <sub>2</sub> O
0.4 - 0.6	2.5	1.3
0.7 - 1.4	4.0	1.0
1.5 - 2.5	6.0	1.9

Special ranges are available.

**Dimensions**



**Product Information**

**Sensors and Instrumentation**

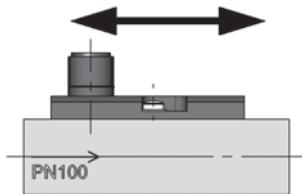
**Handling and Operation**

**Note**

- Include straight calming section of 5 x DN in inlet and outlet
- If the media are dirty, install a filter (use magnetic filter for ferritic components).
- It must be ensured that the values given for voltage, current, and power are not exceeded.
- When switch on, a load must be connected in series.
- The electrical details apply to ohmic loads. Capacitive, inductive and lamp loads must be operated using a protective circuit.

**Adjustment**

As delivered, the device has been set up; if readjustment is required, loosen the screw slightly, twist the switching head to the desired position, and then retighten the screw.



**Ordering code**

FW3 - 1. 008 2. G 3. 4.

○=program option

<b>1. Nominal width</b>	008	DN 8 - G 1/4
<b>2. Process connection</b>	G	female thread
<b>3. Connection material</b>	M	brass
	K	○ stainless steel
<b>4. Switching value selectable in the range for H<sub>2</sub>O for horizontal inwards flow (specify switching value when ordering)</b>	006	0.4 - 0.6 l/min
	014	0.7 - 1.4 l/min
	025	1.5 - 2.5 l/min

**Options**

- Switching value for oil
- Special values
- Cable outlet 3 m

**Ordering information**

- Specify direction of flow, medium, and switching range.
- For oils. State viscosity, temperature and designation (e.g. ISO VG 68) (enquire about switching range).