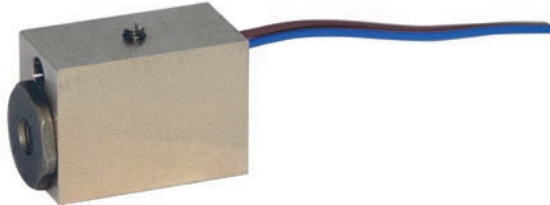


Product Information

Sensors and Instrumentation

Flow Switch MF-003



- Compact construction
- Monitoring of small quantities of air/gas

Characteristics

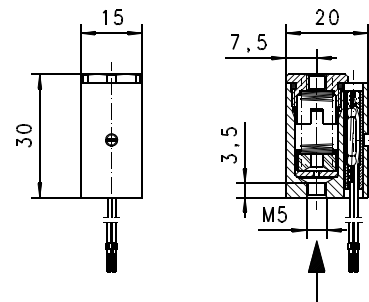
Mechanical flow switch for gaseous media, with magnetic triggering of a reed switch. Robust construction in brass.

Technical data

Switch	reed switch
Nominal width	DN 3
Process connection	female thread M5 (further process connections available on request)
Switching value	selectable between 1..100 NI/min (air 1 bar abs. 0 °C) The switching point is suitable for horizontally decreasing flows.
Q_{max.}	100 l/min
Tolerance	±15 % of full scale value
Pressure resistance	PN 6 bar
Media temperature	-20..+80 °C
Ambient temperature	-20..+70 °C
Medium	gas
Wiring	normally opened (n.o.) no. 0.372
Switching voltage	max. 125 V AC
Switching current	max. 0.5 A
Switching capacity	max. 10 VA

Protection class	2 - safety insulation
Ingress protection	IP 65
Electrical connection	2 wires 170 mm
Materials medium-contact	CW614N, 1.4310, hard ferrite, NBR
Non-medium-contact materials	PVC
Weight	0.06 kg
Installation location	Standard: horizontal inwards flow; other installation positions are possible; the installation position affects the switching point.

Dimensions



Handling and operation

- Include straight calming section of 5 x DN in inlet and outlet.
- If the media are dirty, install a filter (use magnetic filter for ferritic components).
- It must be ensured that the values given for voltage, current, and power are not exceeded.
- When switch on, a load must be connected in series.
- The electrical details apply to ohmic loads. Capacitive, inductive and lamp loads must be operated using a protective circuit.

Ordering code

MF -

1.	003
----	-----

2.	G
----	---

3.	M
----	---

1. Nominal width	003	DN 3 - M5
2. Process connection	G	female thread
3. Connection material	M	brass

Ordering information

- Specify direction of flow, medium, and switching value.
- For gases, state pressure (relative or absolute), temperature and medium (e.g. air) (request switching values).