

Flow Indicator MP-...GR



- No electrical supply required
- Insensitive to dirt
- Also for dark or dirty media
- Rotatable scale, easy to read
- No glass parts under load from pressure or media

Characteristics

The volume flow raises a disc against a spring force. Via a tappet, the disc actuates a magnet which is coupled to a hermetically sealed display ring.

Technical data

Switch/sensor	without	
Nominal width	DN 8..80	
Process connection	female thread G 1/4 ..G 3	
Range	1.5..600 l/min	for details see table "Ranges"
Q _{max.}	to 600 l/min	
Tolerance	±5 % of full scale value	
Pressure resistance	G 1/4..G 1/2	- PN 200 bar
	G 3/4..G 1	- PN 25 bar
	G 1 1/4 .. G 1 1/2	- PN 16 bar
Medium temperature	-20..+100 °C	
Ambient temperature	-20..+70 °C	
Media	water (oils and gases available on request)	
Electrical data	none	
Materials medium-contact	Rg 5 / Rg 6 nickelled, CW614N, 1.4310, hard ferrite, NBR	
Non-medium-contact materials	Acrylic, CW614N, NBR	
Weight	see table "Dimensions and weights"	
Installation location	Standard: horizontal inwards flow; display downwards not recommended; other installation positions are possible; the installation position affects the switching point and range.	

Ranges

Details in the table correspond to horizontal inwards flow with increasing flow rate.

● = Standard ○ = Option

G	Nominal width	Display range l/min H ₂ O	Q _{max.} recommended	Types
G 1/4	DN 8	● 1.5 - 6	6	MP-008GR006
		○ 2.5 - 10	10	MP-008GR010
G 3/8	DN 10	○ 1.5 - 6	6	MP-010GR006
		● 2.5 - 10	10	MP-010GR010
G 1/2	DN 15	○ 1.5 - 6	6	MP-015GR006
		○ 2.5 - 10	10	MP-015GR010
		● 5.0 - 20	20	MP-015GR020
G 3/4	DN 20	○ 2.5 - 10	10	MP-020GR010
		○ 5.0 - 20	20	MP-020GR020
		● 10.0 - 40	40	MP-020GR040
G 1	DN 25	○ 2.5 - 10	10	MP-025GR010
		○ 5.0 - 20	20	MP-025GR020
		● 10.0 - 40	40	MP-025GR040
G 1 1/4	DN 32	○ 12.0 - 60	60	MP-032GR060
		● 20.0 - 100	100	MP-032GR100
G 1 1/2	DN 40	● 30.0 - 150	150	MP-040GR150
		○		MP-050GR150
G 2	DN 50	● 50.0 - 250	250	MP-050GR250
		○		MP-065GR250
G 2 1/2	DN 65	● 80.0 - 400	400	MP-065GR400
		○		MP-080GR400
G 3	DN 80	● 120.0 - 600	600	MP-080GR600
		○		

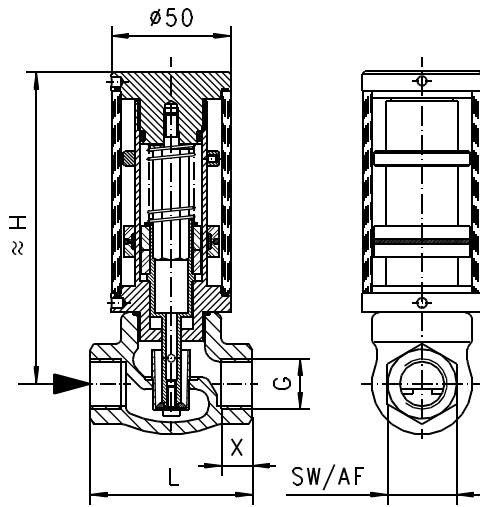
Special ranges are available.

Dimensions and weights

G	Types	H	L	SW	X	Weight kg
G 1/4	MP-008GR...	130	68	29	12	1.1
G 3/8	MP-010GR...					
G 1/2	MP-015GR...					
G 3/4	MP-020GR...	133	73	32	11	1.2
G 1	MP-025GR...	136	87	41	12	1.4
G 1 1/4	MP-032GR...	150	98	52	13	2.0
G 1 1/2	MP-040GR...	154	113	59	14	2.6
G 2	MP-050GR...	184	137	72	17	4.2
G 2 1/2	MP-065GR...	200	160	85	26	5.6
G 3	MP-080GR...					

Product Information

Sensors and Instrumentation

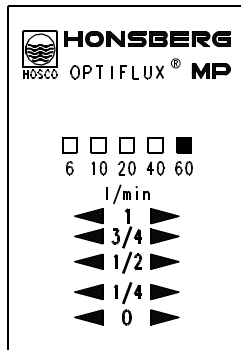


Handling and operation

Note

- Include straight calming section of 5 x DN in inlet and outlet.
- If the media are dirty, install a filter (use magnetic filter for ferritic components).
- Remove the transport lock (white plastic screw in acrylic body) before starting operation. Then seal the threaded hole with the sticker (included in the shipment).

Display



- The display is rotatable.

Ordering code

MP - 1. 2. 3. 4.
 G R

●=Standard ○=Option

1. Nominal width					
008	DN 8 - G 1/4				
010	DN 10 - G 3/8				
015	DN 15 - G 1/2				
020	DN 20 - G 3/4				
025	DN 25 - G 1				
032	DN 32 - G 1 1/4				
040	DN 40 - G 1 1/2				
050	DN 50 - G 2				
065	DN 65 - G 2 1/2				
080	DN 80 - G 3				
2. Process connection					
G	female thread				
3. Connection material					
R	red bronze				
4. Display range H ₂ O for horizontal inwards flow					
006	1.5 - 6 l/min			○	○
010	2.5 - 10 l/min			○	○
020	5.0 - 20 l/min			○	○
040	10.0 - 40 l/min			●	●
060	12.0 - 60 l/min			○	
100	20.0 - 100 l/min			●	
150	30.0 - 150 l/min			○	●
250	50.0 - 250 l/min			○	●
400	80.0 - 400 l/min			○	●
600	120.0 - 600 l/min			●	

Options

- Housing made from stainless steel
- Special ranges/special scaling

Ordering information

- Specify direction of flow, medium, and display range.
- For oils. State viscosity, temperature and designation (e.g. ISO VG 68) (enquire about display range).
- For gases, state pressure (relative or absolute), temperature and medium (e.g. air) (request display range)