

Product Information

Sensors and Instrumentation

**Flow switch
 Novafix PD-...MH**



- Highly reproducible
- Insensitive to dirt
- Precise setting of the switching valve by means of rotation

Characteristics

Mechanical flow switch, for fluid media, with no-contact triggering of an adjustable Reed contact.
 Robust construction in PVC material.

Technical data

Switch	Microswitch	
Nominal width	DN 15 – 50	
Process connection	Glue socket	
Adjustment range	2 – 200 l/min	For details see table "Ranges"
Q_{max.}	up to 250 l/min	
Hysteresis	Depending on the switching value, minimum 1 l/min	
Tolerance	±5 % of full scale value	
Pressure resistance	PN 10 bar	
Medium temperature	-20 – +60 °C	
Ambient temperature	-20 – +60 °C	
Media	Water (oils and gases available on request)	
Wiring	Transformer No. 0.213	
Switching voltage	max. 250 V AC	
Switching current	max. 1.5 A	
Switch performance	max. 50 VA	
Protection class	2 - Safety insulation	
Ingress protection	IP 44	
Connection	Plug DIN 43650-A / ISO 4400	
Materials medium-contact	1.4310, Delta Tone/sial coated, PVC, Viton, hard ferrite	
Non-medium-contact materials	ABS	

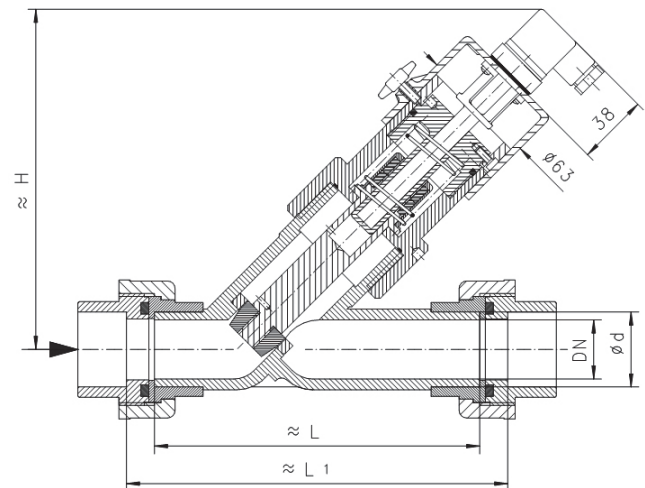
Weight	see table "Dimensions and weights"
Installation location	Standard: horizontal inwards flow; switching head not recommended underneath; other installation positions are possible; the installation position affects the switching point and range.

Ranges

The adjustment range is suitable for horizontally decreasing flows.

Type	Nominal width	Adjustment range		Q _{max. rec.}	
		l/min H ₂ O		l/min H ₂ O	
PD-015MH...	DN 15	2 - 8	4 - 20	20	30
PD-020MH...	DN 20	4 - 20	10 - 40	40	60
PD-025MH...	DN 25	10 - 40	20 - 60	60	90
PD-032MH...	DN 32	20 - 60	30 - 100	100	130
PD-040MH...	DN 40	30 - 100	50 - 150	150	180
PD-050MH...	DN 50	50 - 150	100 - 200	250	

Dimensions and weights



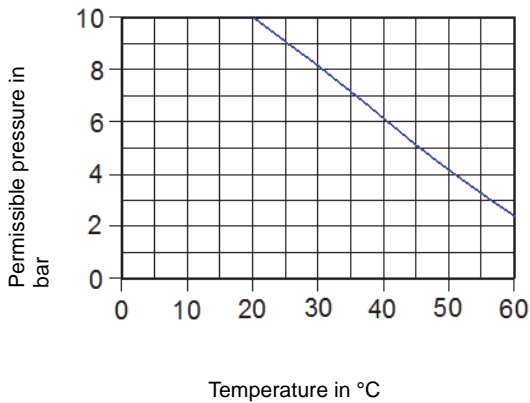
Types	d	H	L	L ₁	Weight
	mm	mm	mm	mm	kg
PD-015MH...	20	170	124	150	0.9
PD-020MH...	25	174	144	170	1.1
PD-025MH...	32	186	154	180	1.3
PD-032MH...	40	196	174	204	1.6
PD-040MH...	50	194	194	228	2.0
PD-050MH...	63	194	224	266	2.6

Product Information

Sensors and Instrumentation

Handling and operation

- Include straight calming section of 5 x DN in inlet and outlet.
- If the media are dirty, install a filter (use magnetic filter for ferritic components).
- It must be ensured that the values given for voltage, current, and power are not exceeded.
- When switched on, a load must be connected in series.
- The electrical details apply to ohmic loads. Capacitive, inductive and lamp loads must be operated using a protective circuit.
- Remove the transport lock (white plastic screw in acrylic glass body) before commissioning. Then close the threaded hole with the sticker included in the scope of supply.
- Do not exceed permissible pressure depending on the temperature (see diagram)



Ordering code

1. 2. 3. 4.
 PD-

○=Option

1. Nominal width	
015	DN 15
020	DN 20
025	DN 25
032	DN 32
040	DN 40
050	DN 50
2. Process connection	
M	Screw connection with glue socket
3. Connection material	
H	PVC
4. Adjustment range H ₂ O for horizontally decreasing inwards flow	
008	2 - 8 l/min
020	4 - 20 l/min
040	10 - 40 l/min
060	20 - 60 l/min
100	30 - 100 l/min
150	50 - 150 l/min
200	100 - 200 l/min

Options

- Signal lamp
- Protection class IP 65
- Adjustment ranges with oil and gas
- Selected hysteresis
- Rhodium contact
- Special values
- Metal cap

Ordering information

- Specify low direction, material and adjustment range.
- For viscous media, state viscosity, temperature and medium (e.g. ISO VG 68) (enquire about metering range).
- For gases, state pressure (relative or absolute), temperature and medium (e.g. air) (request display range).