

**Product Information**

**Sensors and Instrumentation**

**Flow Meter**  
**UK-044**



- Frontal scale imprint

**Characteristics**

A float moves in a transparent conical measurement tube, relative to the flow. The position of the float depends on the volume flow (weight force versus resistance to flow), and indicates the flow rate on the scaled measurement tube.

**Technical data**

<b>Switch</b>	without	
<b>Nominal width</b>	DN 8	
<b>Process connection</b>	male thread 1/4" NPT	
<b>Metering range</b>	0.07..141 l/min	for details see table "Ranges"
<b>Q<sub>max.</sub></b>	to 170 l/min	
<b>Tolerance</b>	±5 % of full scale value	
<b>Pressure resistance</b>	PN 6 bar	
<b>Medium temperature</b>	-20..+65 °C	
<b>Ambient temperature</b>	-20..+65 °C	
<b>Media</b>	water, gases	
<b>Electrical data</b>	none	
<b>Materials medium-contact</b>	acrylic, aluminium, PVC, NBR	
<b>Non-medium-contact materials</b>	acrylic, PVC, CW614N	
<b>Weight</b>	0.1 kg	
<b>Installation location</b>	vertical inwards flow from below	

**Ranges**

**Medium water**

The details in the table correspond to a vertical inwards flow from below.

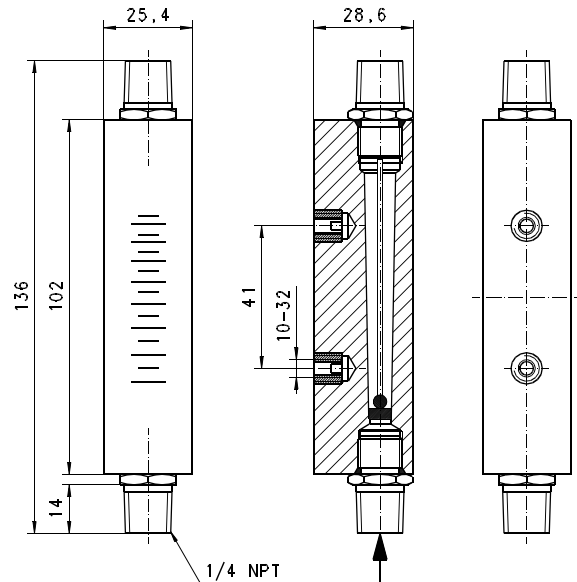
Metering range	Q <sub>max.</sub> recommended	Type
4 - 50 l/h	65 l/h	UK-044AHW0050
15 - 100 l/h	120 l/h	UK-044AHW0100
30 - 230 l/h	260 l/h	UK-044AHW0230

**Medium air**

The details in the table correspond to a vertical inwards flow from below, with the medium at a temperature of 0 °C and a pre-pressure of 1.013 bar.

Metering range	Q <sub>max.</sub> recommended	Type
200 - 1700 NI/h	2000 NI/h	UK-044AHL1700
500 - 3000 NI/h	3600 NI/h	UK-044AHL3000
1000 - 8500 NI/h	10000 NI/h	UK-044AHL8500

**Dimensions**



**Product Information**

**Sensors and Instrumentation**

**Handling and operation**

- Include straight calming section of 5 x DN in inlet and outlet
- If the media are dirty, install a filter

**Ordering code**

UK -

<b>1. Series</b>		
044	044, 1/4 " NPT	
<b>2. Process connection</b>		
A	male thread	
<b>3. Connection material</b>		
H	PVC	
<b>4. Display range H<sub>2</sub>O for vertical inwards flow</b>		
W0050	4 - 50 l/h	
W0100	15 - 100 l/h	
W0230	30 - 230 l/h	
<b>Display range air (0 °C 1.013 bar abs.) for vertical inwards flow</b>		
L1700	200 - 1700 NI/min	
L3000	500 - 3000 NI/min	
L8500	1000 - 8500 NI/min	

**Options**

- Metering ranges and special scales under defined operating pressures / temperatures

**Ordering information**

- Specify direction of flow, medium, and display range.
- For gases, state pressure (relative or absolute), temperature and medium (e.g. air) (request display range)