

**Product Information**

**Sensors and Instrumentation**

**Flow Rate Monitor  
 VM-...GK**



- Highly reproducible
- Precise, stepless adjustment of the switching value
- High switching power
- Insensitive to dirt
- Short installation length

**Characteristics**

Mechanical flow switch, for fluid or gaseous media, with non-contact triggering of an adjustable micro switch.

**Technical data**

<b>Switch</b>	micro switch	
<b>Nominal width</b>	DN 15..50	
<b>Process connection</b>	female thread G 1/2..G 2	
<b>Switching range</b>	2..250 l/min	for details see table "Ranges"
<b>Q<sub>max.</sub></b>	to 300 l/min	
<b>Tolerance</b>	±5 % of full scale value	
<b>Pressure resistance</b>	PN 100 bar	
<b>Medium temperature</b>	-20..+90 °C	
<b>Ambient temperature</b>	-20..+70 °C	
<b>Media</b>	water (oils, gases and aggressive media available on request)	
<b>Wiring</b>	changeover no. 0.213	
<b>Switching voltage</b>	max. 250 V AC	
<b>Switching current</b>	max. 6 A	
<b>Protection class</b>	2 - safety insulation	
<b>Ingress protection</b>	IP 65	
<b>Connection</b>	plug DIN 43650-A / ISO 4400	
<b>Materials medium-contact</b>	1.4305, 1.4571, 1.4310, FKM, hard ferrite	
<b>Non-medium-contact materials</b>	PTFE-coated	
<b>Weight</b>	see table "Dimensions and weights"	

<b>Installation location</b>	Standard: horizontal inwards flow; switching head not recommended underneath; other installation positions are possible; the installation position affects the switching point and range.
------------------------------	---

**Ranges**

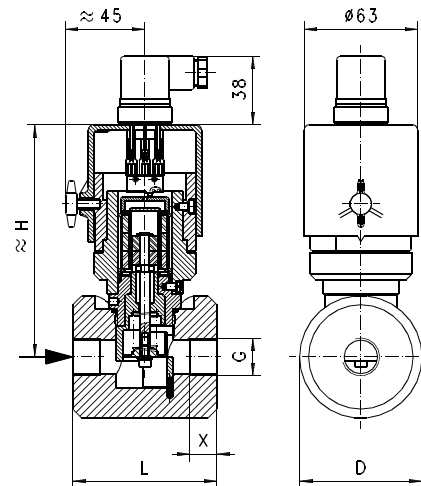
Details in the table correspond to horizontal inwards flow with decreasing flow rate.

G	Nominal width	Switching range l/min H <sub>2</sub> O	Q <sub>max.</sub> recomm ended	Type
G 1/2	DN 15	2 - 6	15	VM-015GK006
		4 - 20	30	VM-015GK020
G 3/4	DN 20	4 - 12	40	VM-020GK012
		10 - 40	50	VM-020GK040
G 1	DN 25	10 - 60	70	VM-025GK060
G 1 1/4	DN 32	20 - 100	120	VM-032GK100
G 1 1/2	DN 40	30 - 150	180	VM-040GK150
G 2	DN 50	50 - 250	300	VM-050GK250

Special ranges are available

**Dimensions and weights**

G	Types	H	L	D	X	Weight kg
G 1/2	VM-015GK	139	80	68	15	2.8
	VM-020GK				16	2.6
	VM-025GK				18	2.5
G 1 1/4	VM-032GK	141	95	78	24	3.5
G 1 1/2	VM-040GK	152	105	88	25	4.5
G 2	VM-050GK	154	120	102	27	6.7



**Product Information**

**Sensors and Instrumentation**

**Handling and operation**

**Note**

- Include straight calming section of 5 x DN in inlet and outlet
- Include a filter if the media are dirty (use magnetic filter for ferritic components).
- It must be ensured that the values given for voltage, current, and power are not exceeded.
- When switched on, a load must be connected in series.
- The electrical details apply to ohmic loads. Capacitive and inductive loads must be operated using a protective circuit.

**Adjustment**

To adjust the switching point, the fixing screw for the switching head must be loosened. The switching head can then be rotated. Turning to the right increases the switching point, and vice-versa. Then retighten the fixing screw.



**Ordering code**

VM -  1.  2.  3.  4.  5.  
 VM -  **G** **K**

<b>1. Nominal width</b>	
015	DN 15 - G 1/2
020	DN 20 - G 3/4
025	DN 25 - G 1
032	DN 32 - G 1 1/4
040	DN 40 - G 1 1/2
050	DN 50 - G 2
<b>2. Process connection</b>	
G	female thread
<b>3. Connection material</b>	
K	stainless steel
<b>4. Switching range H<sub>2</sub>O for horizontal inwards flow</b>	
006	2 - 6 l/min
012	4 - 12 l/min
020	4 - 20 l/min
040	10 - 40 l/min
060	10 - 60 l/min
100	20 - 100 l/min
150	30 - 150 l/min
250	50 - 250 l/min
<b>5. Optionally for ATEX</b>	
A	for switching head ATEX A-V2 or A-V3 (The switching head is ordered in addition)

**Options**

- Special plugs, Tuchel / Harting
- Signal lamp red or red / green in the plug DIN 43650-A
- Other signal lamp
- Temperature display 0..120 °C
- Temperature monitoring 40..90 °C
- Temperature resistant up to 150 °C
- Metal cap
- Gold contact microswitch 125 V AC / 30 V DC, 100 mA
- Germanischer Lloyd
- Switching ranges for oil or gas
- Special values

**Ordering information**

- Specify direction of flow, medium, and switching range.
- For oils. State viscosity, temperature and designation (e.g. ISO VG 68) (enquire about switching range).
- For gases, state pressure (relative or absolute), temperature and medium (e.g. air) (request switching range).